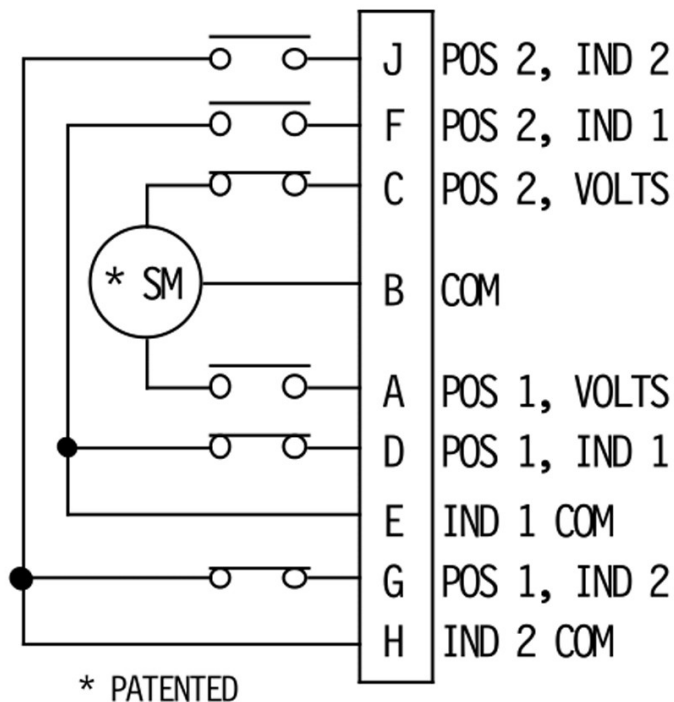


SWITCH SERIES:

SMALL: WR10 THROUGH WR137MINI  
 LARGE: WR137LARGE THROUGH WR430

## LATCHING ELECTRICAL CIRCUIT #2



LATCHING ELECTRICAL CKT # 2

Shown in Position 1

TWO FORM C's

SWITCH SERIES	CONNECTOR	MATING CONNECTOR
SMALL	MS3112E12-10P	MS3116F12-10S
LARGE	MS3112E14-12P	MS3116F14-12S



SECTOR MICROWAVE INDUSTRIES, INC.

<http://www.sectormicrowave.com>
