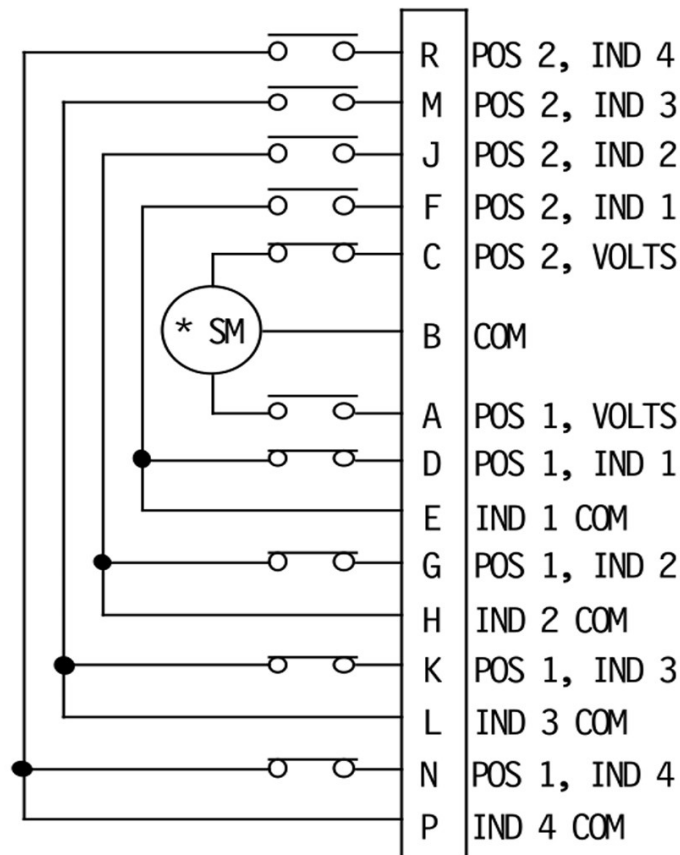


SWITCH SERIES:

SMALL: WR10 THROUGH WR137MINI
 LARGE: WR137LARGE THROUGH WR430

LATCHING ELECTRICAL CIRCUIT #4



* PATENTED

LATCHING ELECTRICAL CKT # 4

Shown in Position 1
 FOUR FORM C's

SWITCH SERIES	CONNECTOR	MATING CONNECTOR
SMALL & LARGE	MS3112E14-15P	MS3116F14-15S



SECTOR MICROWAVE INDUSTRIES, INC.

<http://www.sectormicrowave.com>
