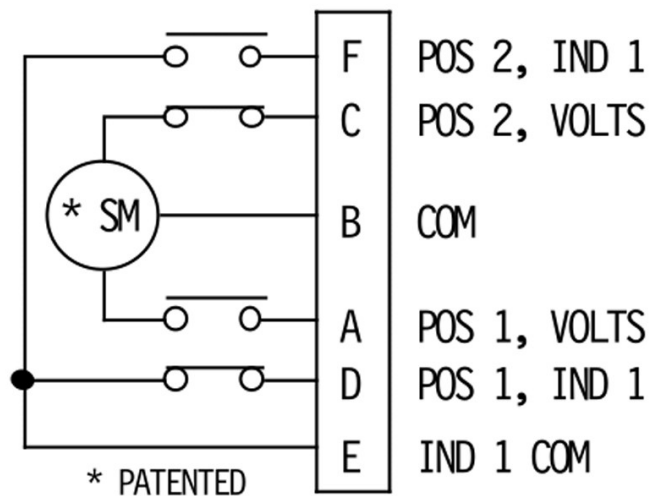


Schematics

SWITCH SERIES:

SMALL: WR10 THROUGH WR137MINI
 LARGE: WR137LARGE THROUGH WR430

STANDARD/DEFAULT CIRCUIT



STD. LATCHING ELECTRICAL CKT.

Shown in Position 1
 ONE FORM C

SWITCH SERIES	CONNECTOR	MATING CONNECTOR
SMALL	MS3112E10-6P	MS3116F10-6S
LARGE	MS3102E14S-6P	MS3106F14S-6S



SECTOR MICROWAVE INDUSTRIES, INC.

<http://www.sectormicrowave.com>

