

PORT 2 CONNECTOR MS3112E SERIES OR EQUIV. (SIZE DEPENDENT ON CKT)

MANUAL OVERRIDE KNOB & VISIBLE RF PATH INDICATOR. (STYLE OF KNOB AND INDICATOR MAY VARY)

**SPECIFICATIONS;**  
 FREQ RANGE (GHz) — 50.0 - 75.0  
 VSWR — 1.20 : 1 MAX  
 INSERTION LOSS — 0.40 dB, MAX  
 ISOLATION — 50 dB, MIN  
 SWITCHING TIME — 50 mSec, TYP  
 PRESSURE — TO 30 PSIG (RF HEAD)  
 FINISH — CHEM FILM ON FLANGES, SATIN BLACK FINISH ON BODY.

**NOTES:**  
 1. \*\* MANUAL SWITCH DOES NOT INCLUDE RECEPTACLE.  
 2. BLUE BOXES ARE REQUIRED FIELDS.  
 3. !! IF OPTION IS NOT REQUIRED, LEAVE (GOLD BOX) BLANK  
 4. ## SINGLE POLE DOUBLE THROW (SPDT) OPTION ADDS A SHORTING PLATE ON PORT 4.

VOLTAGE	AMPS	CODE
+22 TO +32	0.9	A
-22 TO -32	0.9	B
+10 TO +14	1.5	C
-10 TO -14	1.5	D
+44 TO +54	0.5	E
-44 TO -54	0.5	F
117VAC	0.5	H
235VAC	0.5	K
MANUAL **		M

**PART NO. SELECTION**

ENVIRONMENTAL	CODE
SHELTERED	W

CODE	FLANGE
P	PLAIN (ROUND)

!! OPTION	CODE
METRIC THD	M

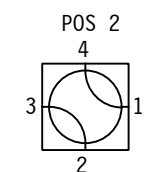
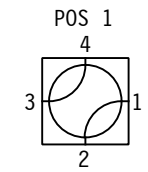
15-	<b>P</b>	<b>W</b>
PART NO. SERIES	SPDT ## !! OPTION	1 CODE

**!! ELECTRICAL CIRCUIT (IF OTHER THAN STD.)**

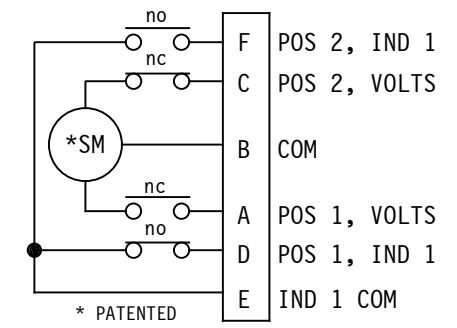
PART NO. EX.: 15-APW  
 WR15 LATCHING WG SWITCH, +28VDC, PLAIN ROUND FLANGE, SHELTERED.

SEE NOTE 4 NUMBER NOT REQ'D FOR STANDARD CIRCUIT.

WEB SITE: [www.sectormicrowave.com](http://www.sectormicrowave.com)



RF PATHS



STD. ELECTRICAL CKT. Shown in Position 1 ONE FORM C

ZONE	LTR	DESCRIPTION	APV	DATE
	C	REPLACED COVER CAN WITH COVER CAP.	TN	10/24/19
	B	ADDED NOTE 4 AND ALL CKTS	TN	12/11/09
	A	ADDED NOTE 1 & CALLOUTS. CLARIFIED FLANGE INFO.	AC	12/21/98
<b>REVISIONS</b>				

TOLERANCES:	DRAWN	A.C.	10/17/97
DECIMALS	CHECKED		
2 PLACES: +/- .03	APVD	J.P.	10/17/97
3 PLACES: +/- .010	APVD		
FRACTIONS: +/- 1/64			
ANGLES: +/- 1/2 deg.			

**SECTOR MICROWAVE IND., INC.**

WR15 SHELTERED WG SW., ALL CKTS.

SIZE	L	CAGE CODE	53263	15-xPW SERIES	C
SCALE		UNIT WT.		SHEET 1 OF 1	REV.